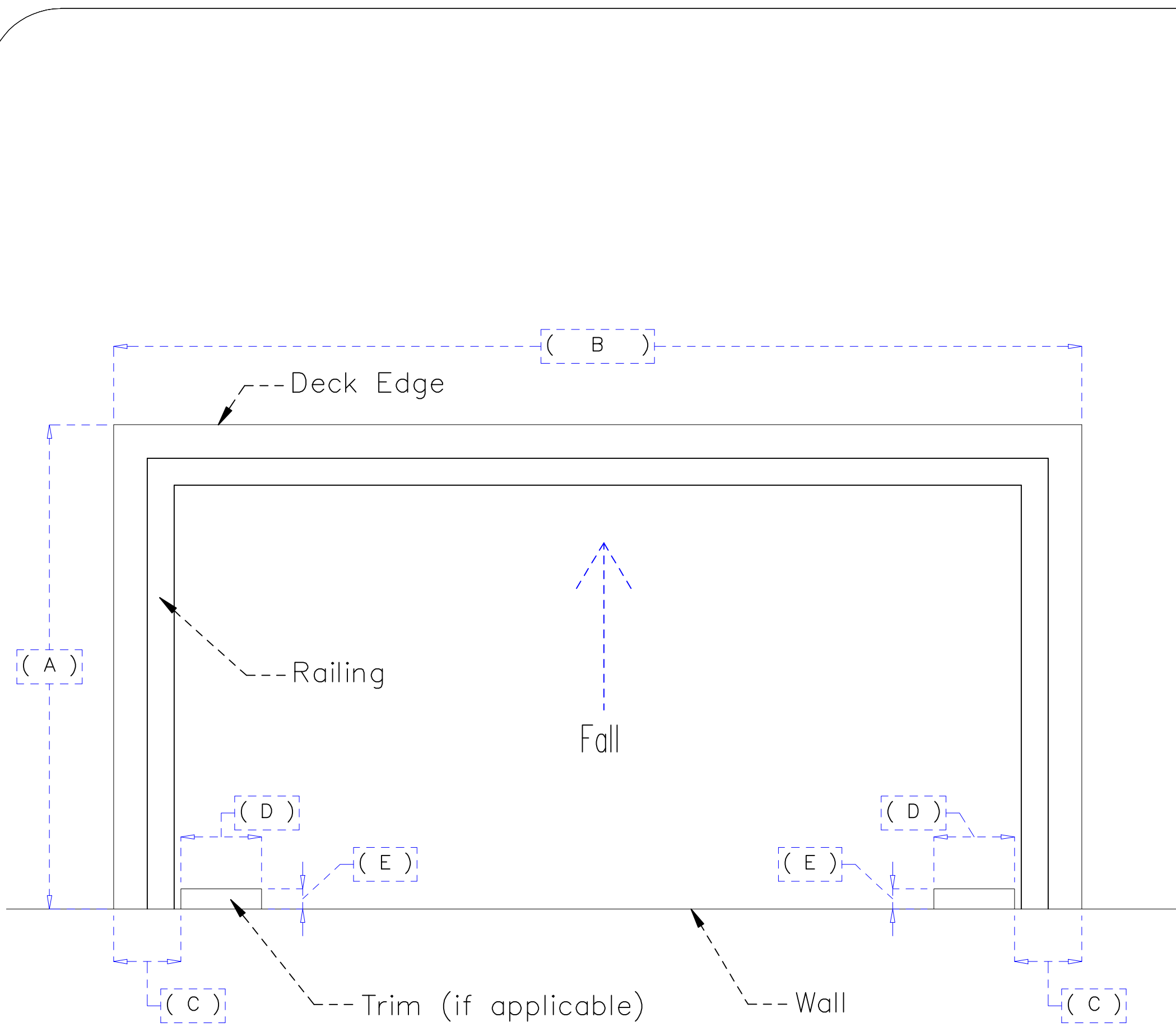


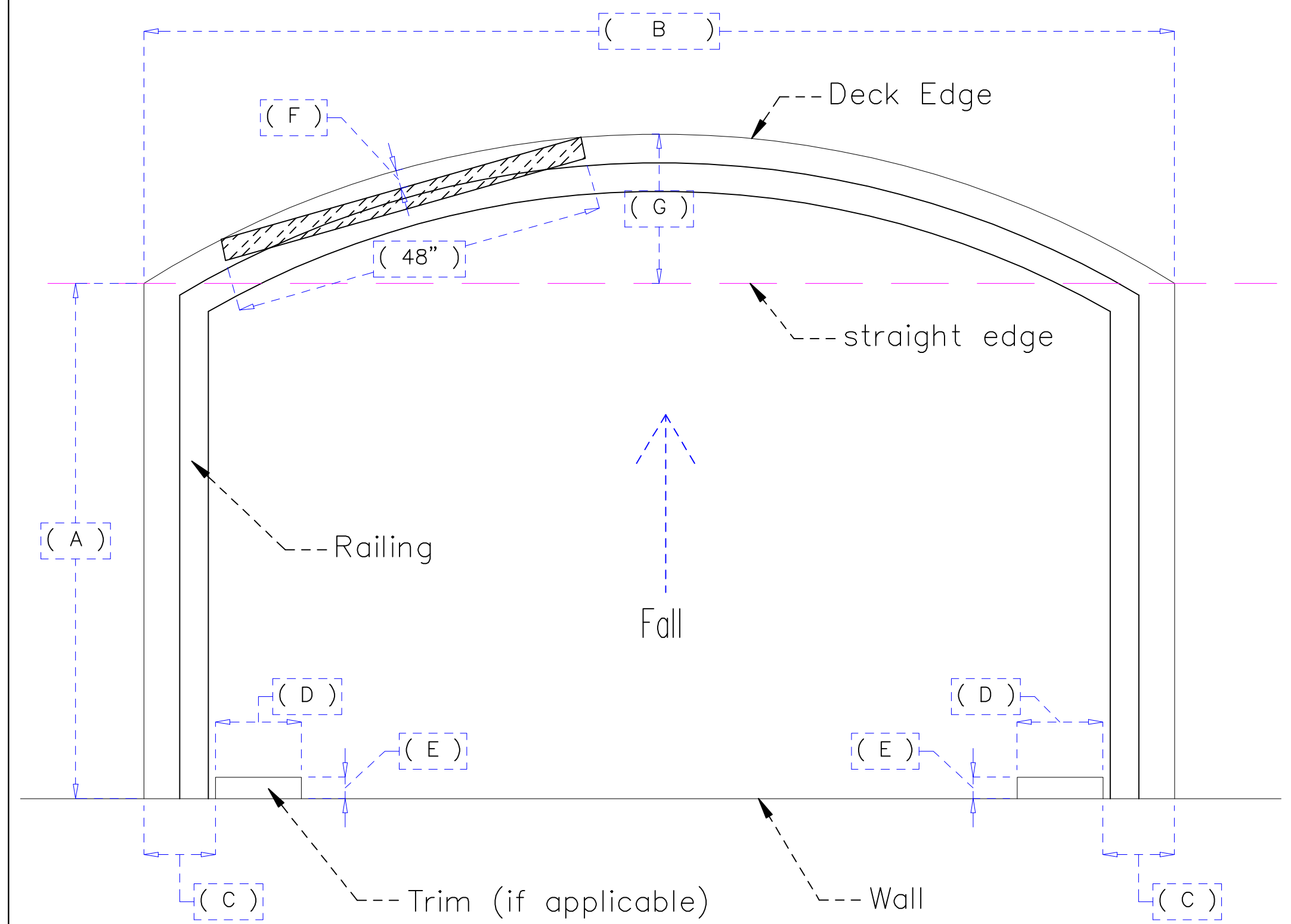
- Please fill in all applicable measurements:
- A. Body of column to Body of column
 - B. Base of column to base of column
 - C. Body of column to wall
 - D. Base of column to wall
 - E. Centerline of column to edge of balcony
 - F. Body of column measurement
 - G. Base of column measurement
 - H. Base trim detail out from column
 - I. Base trim detail heght from floor
 - J. Outside dimensions of balcony
 - K. Angles in balcony (Use protractor to determone)
 - L. Slope of balcony (degrees or drop in 12") provide direction of slope
 - M. Outermost edge of radius to straight line
 - N. Fascia mounting details (Only needed for fascia mounting)

Balcony
Measurements

Firm Name and Address
Southeastern
Ornamental Iron Co. Inc.
Ph: 904-292-0933
Fx: 904-292-0588
www.SEOIC.com



Standard Balcony



Standard Balcony w/ Radius

Please fill in all applicable measurements:

- A. Outside of Deck Edge to Wall (_____)
- B. Edge of Deck to Edge of Deck (_____)
- C. Edge of Deck to Trim (_____)
- D. Width of Trim (if applicable) (_____)
- E. Thickness of Trim (_____)
- F. Fall in Deck - (if applicable) (_____)

False Balcony
Railing
Measurements



Please fill in all applicable measurements:

- A. Outside of Deck Edge to Wall (_____)
- B. Edge of Deck to Edge of Deck (_____)
- C. Edge of Deck to Trim (_____)
- D. Width of Trim (if applicable) (_____)
- E. Fall in Deck - (if applicable) (_____)
- F. Use a 4' straight edge (_____)
- G. Centerline back to straight edge (_____)